

8

Everfit Basketball System

Model: BAS-HOOP-305-S



WARNING:
IMPROPER INSTALLATION OR SWINGING ON THE RING MAY CAUSE SERIOUS INJURY OR DEATH

User Manual

*All the basketball systems, including those used for displays must be assembled and ballasted according to instructions. Failure to follow instructions could result in serious injury.

*Please read all warnings and cautions before assembly. It is recommended to supervise children as they play with this product. This product is to be assembly by 2 adults only!

1

SAFETY INSTRUCTIONS

To ensure safety, do not assemble this system without following the instructions. Check entire box and inside all packing material for parts before assembly. A high probability of serious injury exists if this system is not installed, maintained and operated properly

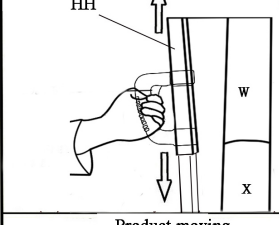
- * The system should be moved by at least 3 adults capable of handling its weight. children should not be allowed to move the system.
- * Check base (if applicable) regularly for leakage. slow leaks could cause the system to tip over unexpectedly
- * Stand in front of the system and pull the pole forward until the system is balanced on its wheels
- * Move the system to the desired location and carefully set the base down.

Warning

1. Do not hang on the rim or any parts of the system including backboard, support braces or net
2. Never play on damaged equipment. any problem with parts please contact the customer service promptly
3. Do not leave the system in an upright position without filling base with weight. as system may tip over cause injury
4. Do not allow the water to freeze in base during sub-freezing weather. please pour out the water and fill up the base with sand
5. Keep top pole and lifter pole covered with cap all the time
6. During play, do not wear jewelry (watches necklaces, etc.) avoid entangling in net or losing
7. when adjusting height or moving system, keep hands and fingers away from moving parts
8. Do not allow children to move or adjust the system

Height adjustment

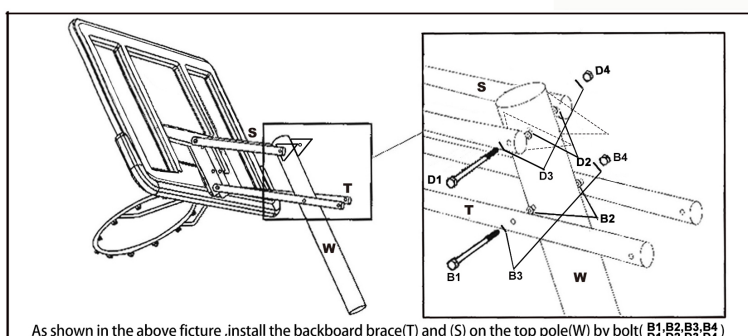
As shown in the figure, Pinch the lifting handle bar in (HH), make the rim up and down.



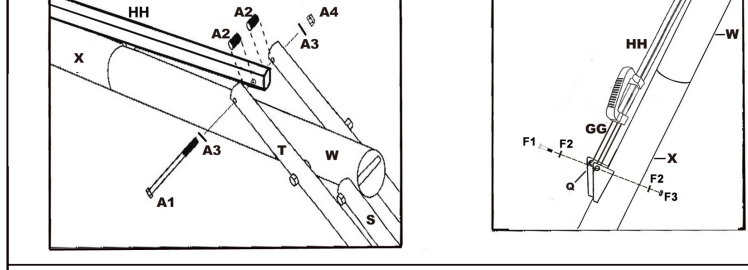
Product moving

1. Adjust the product in lowest level before moving
2. Avoid friction with the ground while moving
3. Move to the right place then rise the product slowly

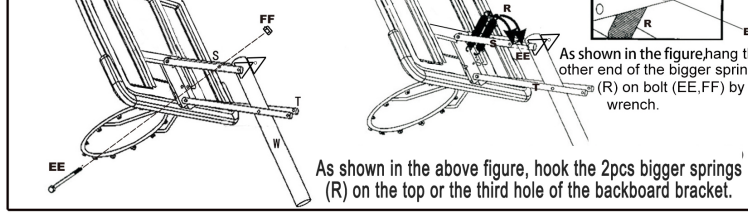
2



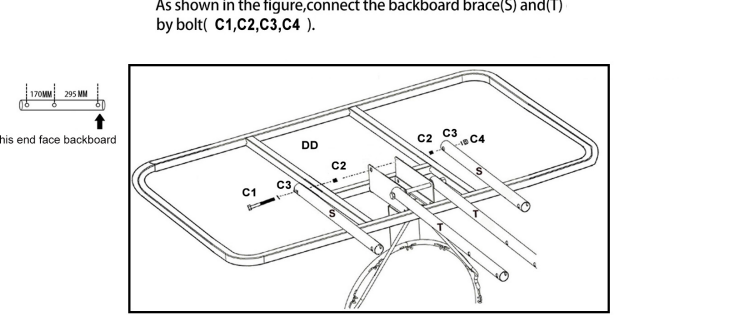
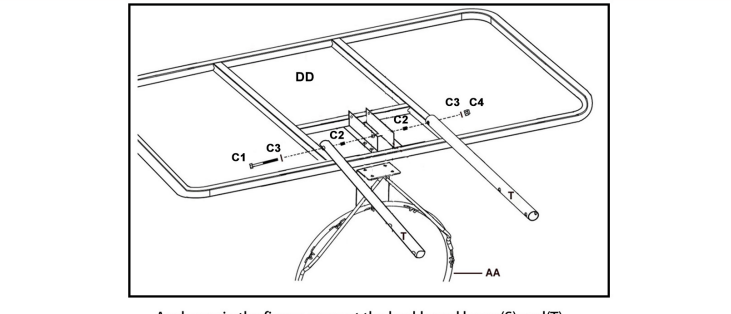
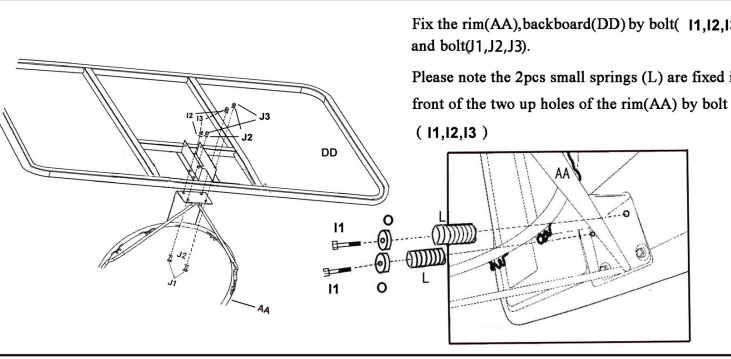
As shown in below figure, fix the top end of outer lifter pole (HH) on the end of longer backboard brace (T) by bolt (A1, A2, A3, A4). Please note that sleeve (A2) must between the longer backboard (T) and outer lifter pole (HH).



Fix the bolt (EE, FF) on the two shorter backboard brace (S), in order to convenient the next installation of big springs (R)

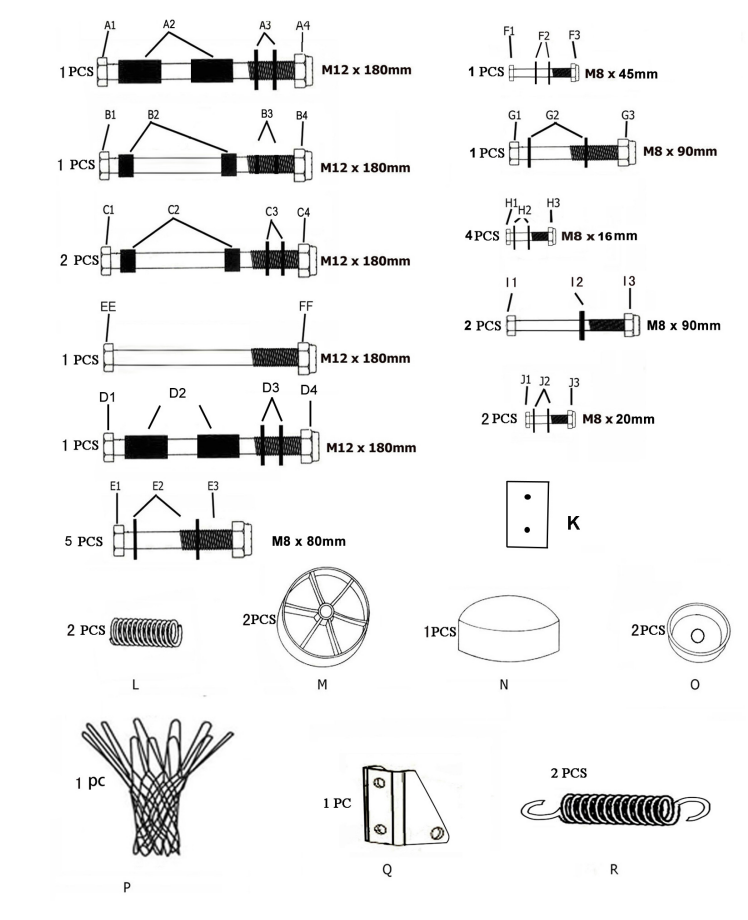


7

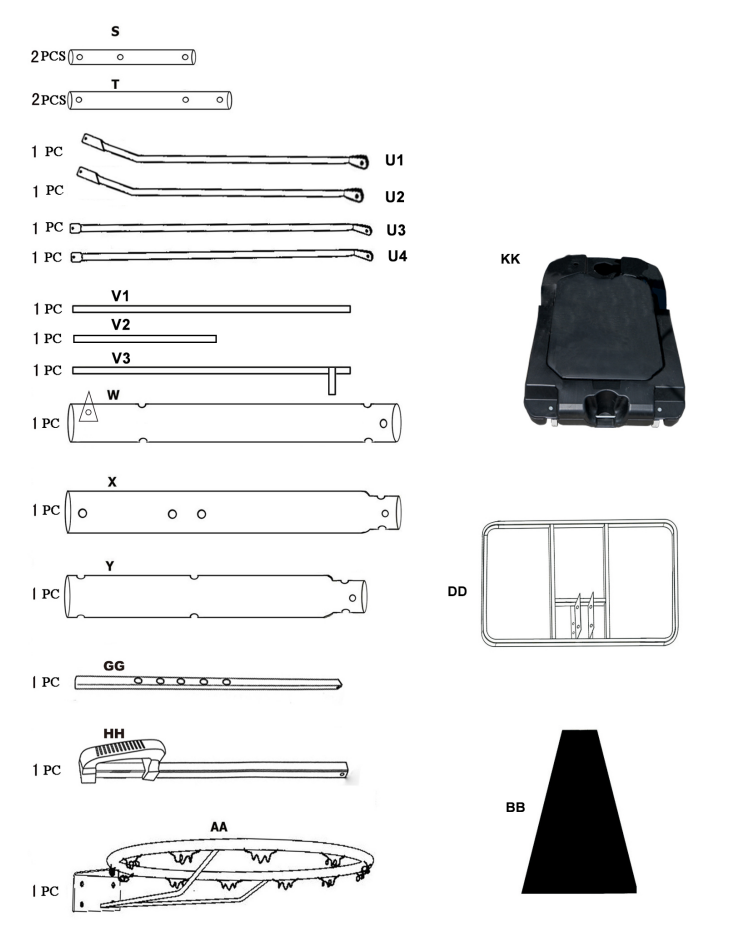


6

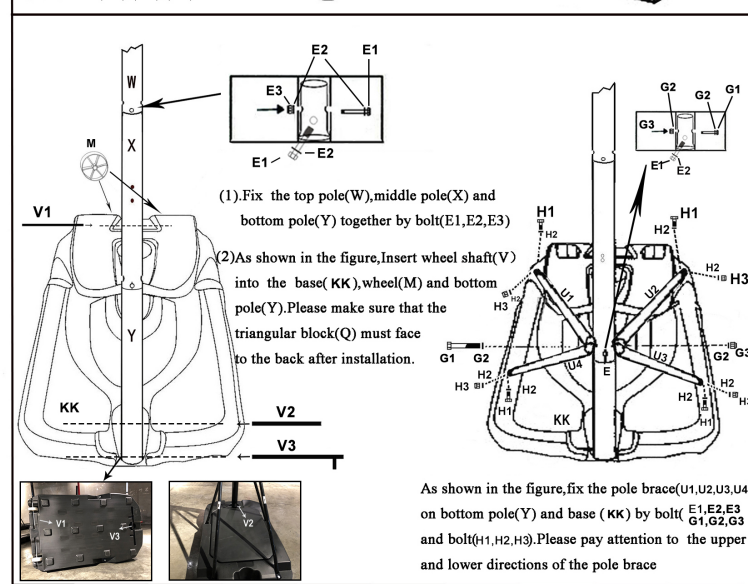
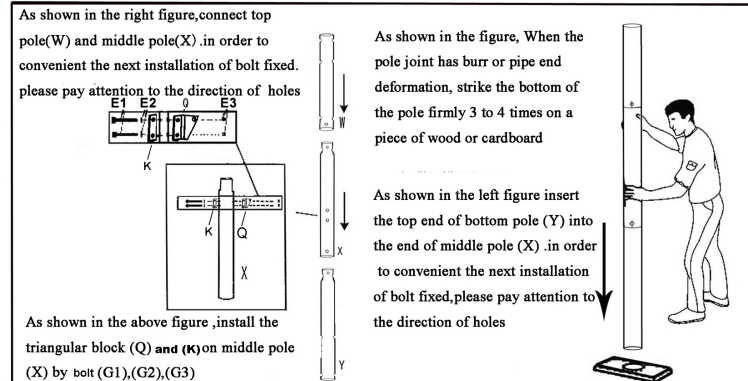
SPARE PARTS



3



4



5