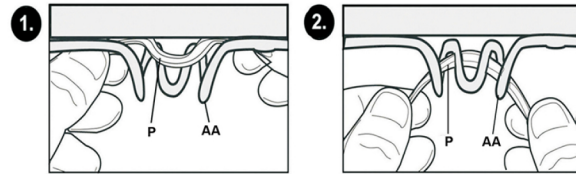
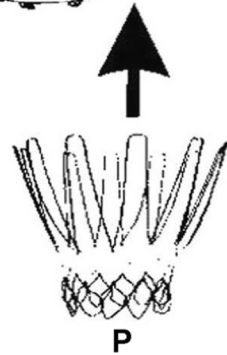
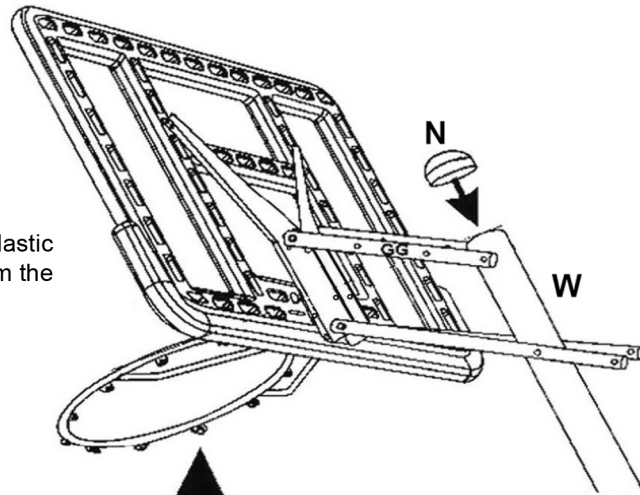


## NET INSTALLATION

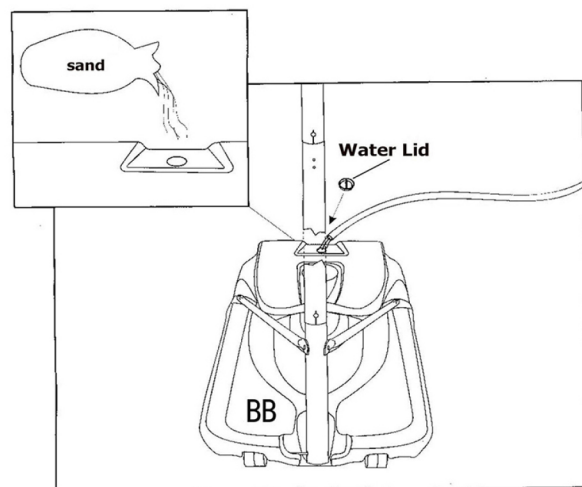
Remove the plastic packaging from the backboard



Install the net (P) on the hoop rim (AA) as shown in the diagram.

## BASE FILL-UP

For safety reasons, please use sand instead of water to fill up the base (BB). If a small leak develops, water may run away or dry up unnoticed and may cause the stand to fall over causing personal injury or product damage. Place the base on a flat and smooth surface and away from sharp objects that might be able to puncture it.



# Everfit

## Basketball System

MODEL: BAS-HOOP-305-BK

## USER MANUAL



### WARNING

Improper installation  
or swinging on the hoop rim  
may cause serious injury  
or death



- All basketball systems, including those used for displays, must be assembled and ballasted according to instructions. Failure to follow instructions could result in serious injury.
- Please read all warnings and cautions before assembly. It is recommended that children be supervised when using this product.
- This product must be assembled by two adults.
- Please retain this manual for future reference.

## SAFETY INSTRUCTIONS

**Owner must ensure that all players know and follow these rules for safe operation of the system.**

To ensure safety, do not attempt to assemble this system without following the instructions carefully. Check the entire box and inside all packing materials for parts and/or additional instructional materials. Before starting assembly, identify all parts using the hardware and parts lists in this manual. Proper and complete assembly, use and supervision are essential for safe and proper operation of the system and to reduce the risk of accident or injury. A high probability of serious injury exists if the system is not installed, maintained and operated properly.

- If using a ladder during assembly, use with extreme caution.
- Two (2) able adults are recommended for the assembly operation.
- Check the base regularly for leakage. Slow leaks could cause system to tip over unexpectedly.
- Seat the stand section properly (if applicable). Failure to do so could allow the stand sections to separate during play and/or transport of the system.
- Climate, corrosion or misuse could result in system failure.
- The minimum operation height is 1.98m up to the bottom edge of the backboard.
- This system is intended for home recreational use only and NOT for excessive competitive play.
- Read and understand the warning label affixed to the stand.
- The lifespan of the stand will depend on many conditions. The weather, placement of the stand and exposure to corrosives such as pesticides, herbicides or salts are all important factors.
- Adult supervision is recommended when adjusting the height.

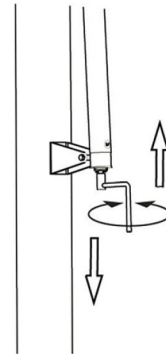
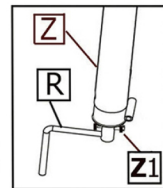
## USER WARNINGS

- DO NOT HANG on the rim or any part of the system including the backboard, support braces and net.
- During play, especially when performing dunk-type activities, keep the player's face away from the backboard, rim and net. Serious injury could occur if teeth/face come in contact with the backboard, rim and net.
- Do not slide, climb, shake or play on the base and/or stand.
- After assembly is complete, fill the base completely with water or sand (preferred). Never leave the system in an upright position without filling the base with weight as the system may tip over and cause human injuries or product damage.
- When adjusting the height, keep hands and fingers away from moving parts.
- Do not allow children to move or adjust the system.
- During play, do not wear jewellery pieces such as rings, bracelets, watches, or necklaces. Objects may get entangled with the net.
- The base must be placed on a smooth and flat surface that is free of sharp objects that may puncture the base and cause the system to flip over.
- Keep organic materials away from the base. Grass and litter could cause corrosion and/or deterioration.
- Check the stand for corrosion signs (rust, pitting or chipping) and repaint with exterior enamel paint. If rust has penetrated through the steel anywhere, replace stand immediately.
- Check system for proper ballast, loose hardware, excessive wear and signs of corrosion. Repair before use.
- Check system before each use for instability.
- Do not use system during windy and/or severe weather conditions. The system may tip over. Place system in the storage position and/or in an area protected from wind and free from personal property and overhead wires.
- Never play with damaged equipment.
- When moving system, use caution to keep mechanism from shifting and do not let anyone stand or sit on the base or added ballasting on the base.
- Keep the stand top covered with the cap all times.
- Do not allow water to freeze in the base. During sub-zero weather, use a non-toxic anti-freeze, sand or empty base completely and store. Do not use salt.
- Do not leave system unsupervised or play on system when wheels are engaged for moving.

## HEIGHT ADJUSTMENT

**Backboard and rim height adjustment is from 2.3m to 3m.**

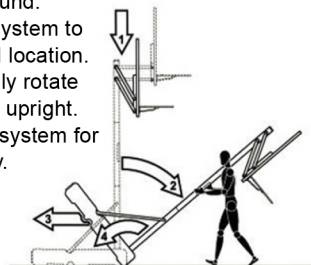
Rotate the crank handle (R) to raise or lower backboard.



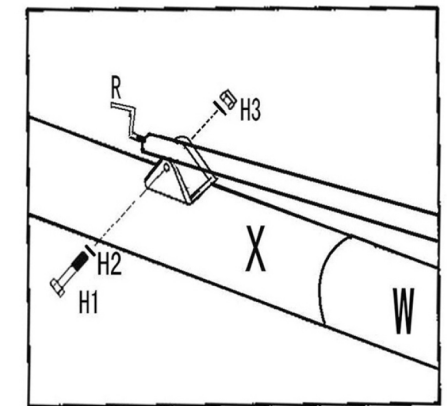
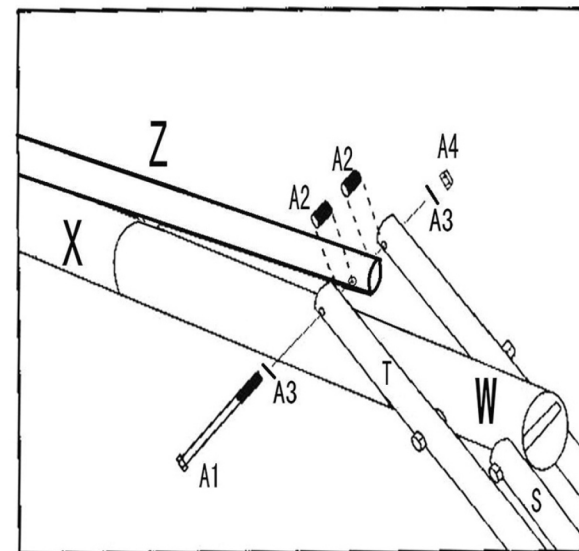
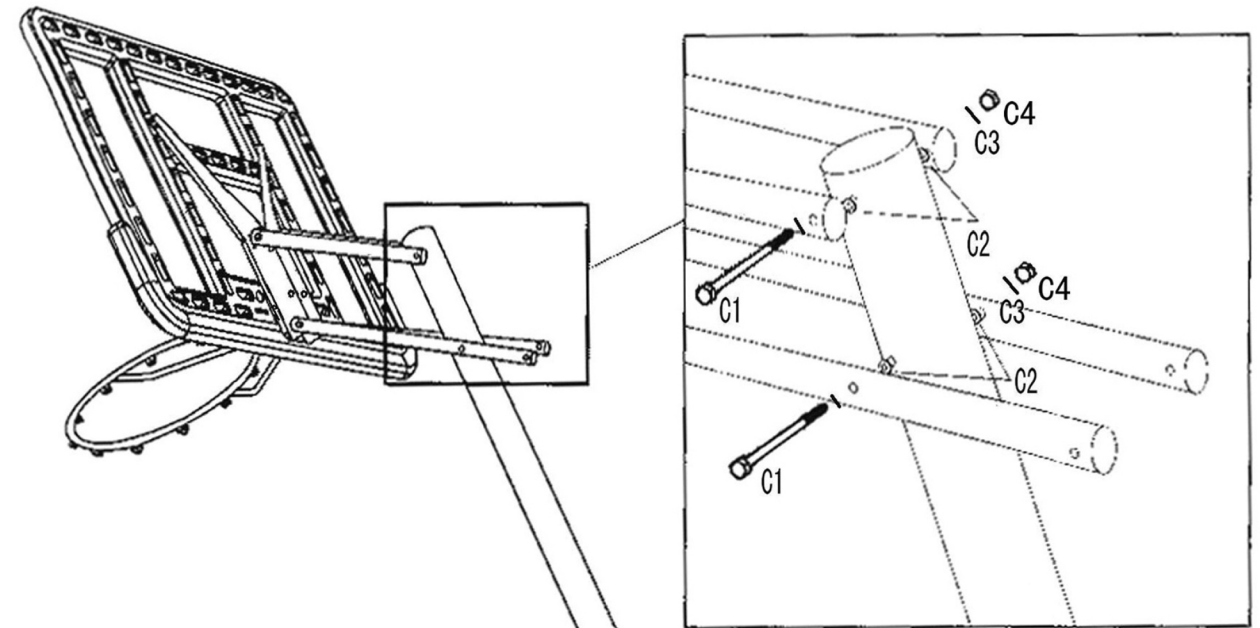
Handle (R) can be removed or stored by removing the small bolt (Z1) at the bottom of the adjustment mechanism (Z).

## SYSTEM TRANSPORT

1. Adjust backboard to lowest position.
2. While holding stand, rotate the system forward until wheels engage with the ground.
3. Move system to desired location.
4. Carefully rotate system upright.
5. Check system for stability.

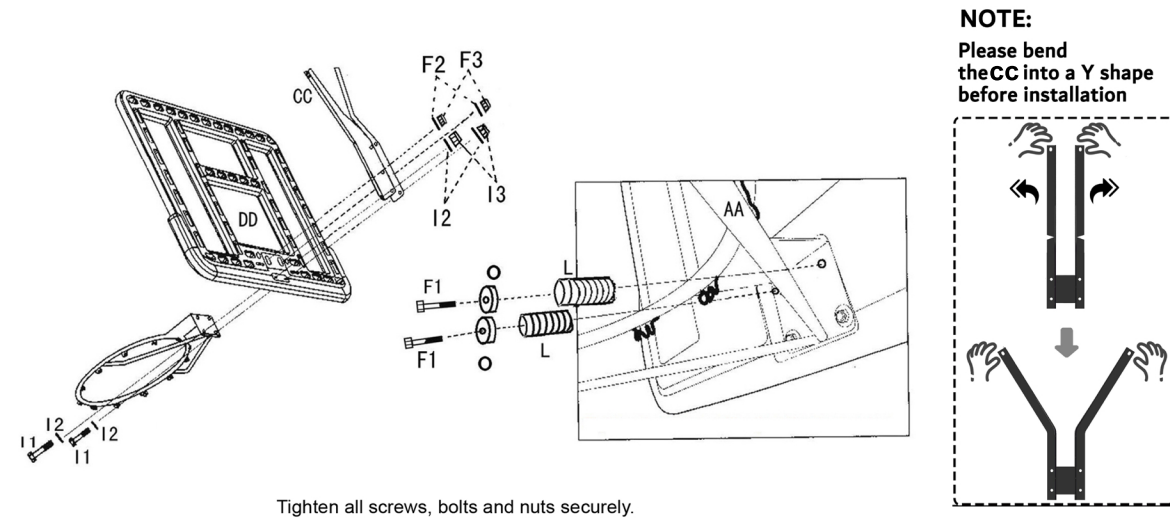


## BACKBOARD TO STAND INSTALLATION

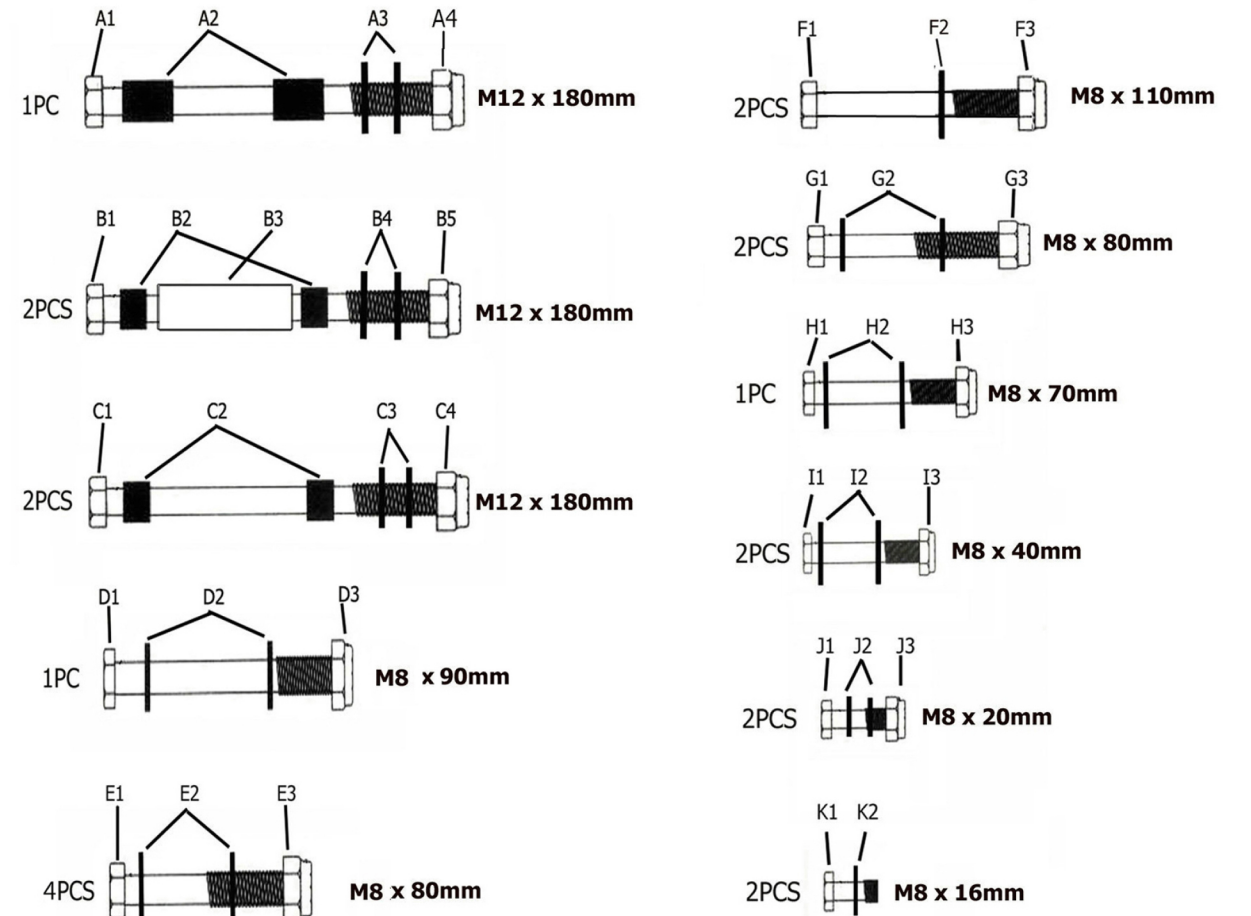


Tighten all screws, bolts and nuts securely.

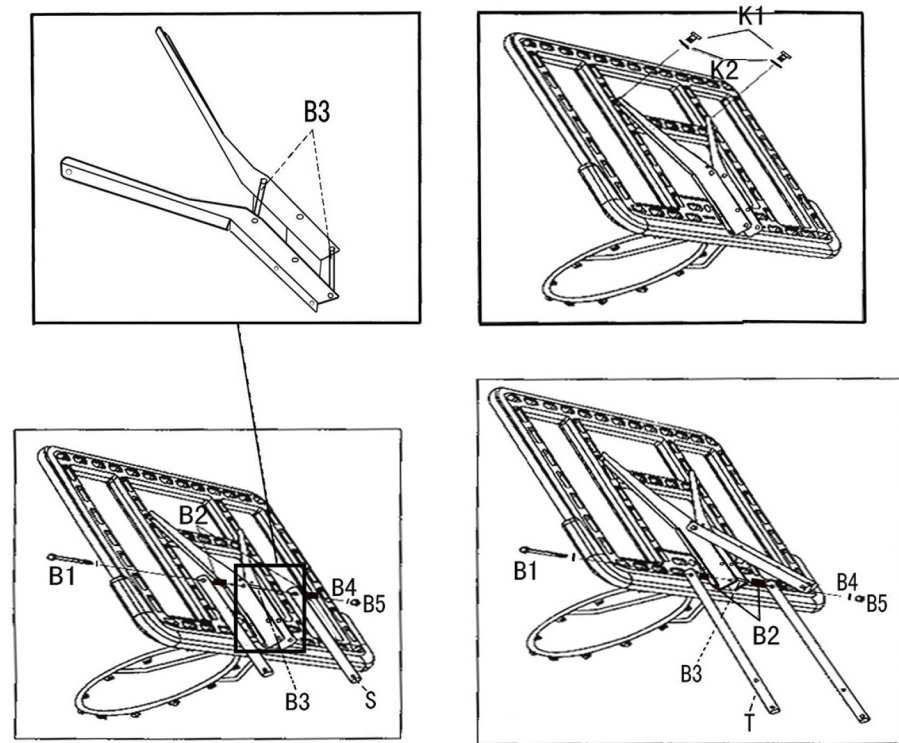
## RIM TO BACKBOARD INSTALLATION



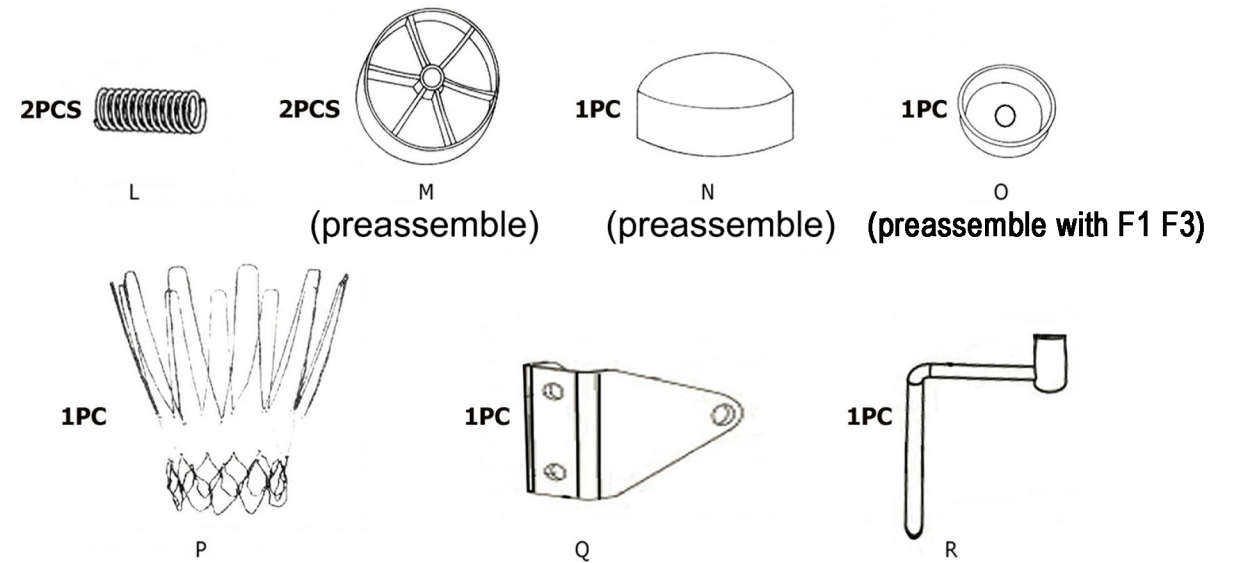
## HARDWARE LIST



## BACKBOARD ATTACHMENT ASSEMBLY



## PARTS LIST (A)



**PARTS LIST (B)**

2PCS **S** packaged in **W**

2PCS **T** packaged in **Y**

1PC **U1**

1PC **U2**

1PC **V**  
(preassembly)

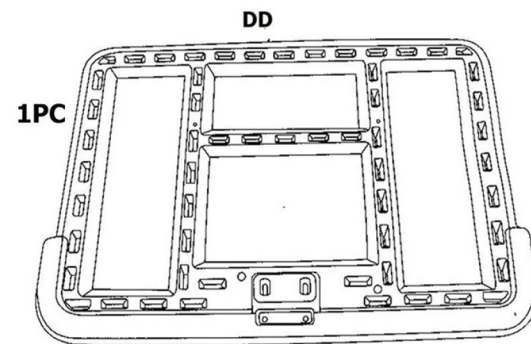
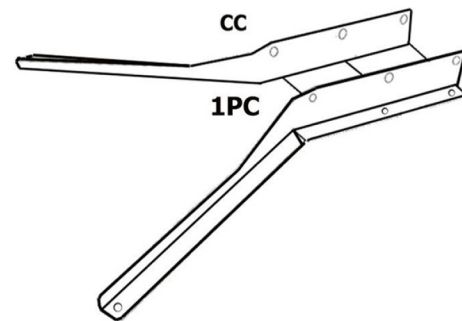
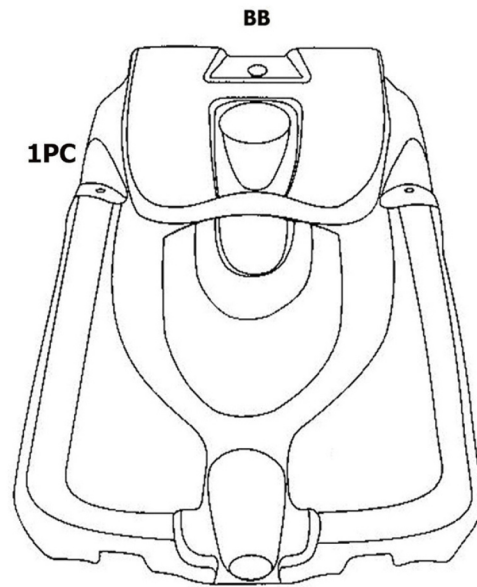
1PC **W**

1PC **X**

1PC **Y**

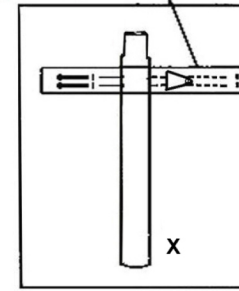
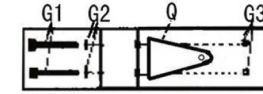
1PC **Z**  
packaged in **X**

1PC **AA**



**STAND ASSEMBLY**

Tighten all nuts securely.

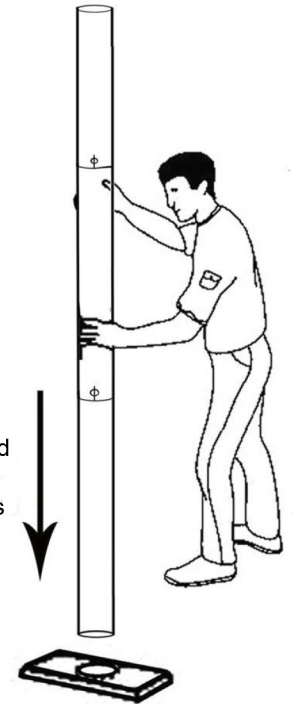


Align the slot at the bottom of the middle stand section (X) with the slot at the top of the bottom stand section (Y).

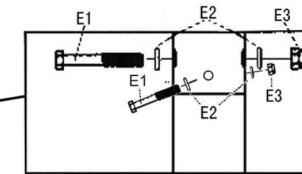


Align the slot at the bottom of the top stand section (W) with the slot at the top of the middle stand section (X).

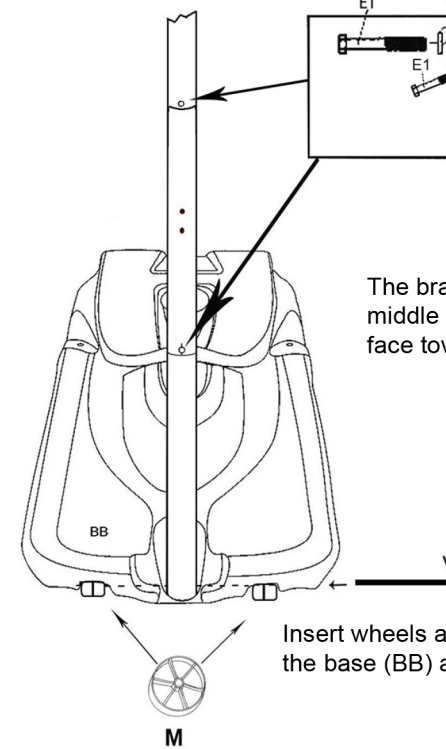
Strike the bottom of the assembled stand firmly on a piece of scrap wood or cardboard for 3 to 4 times to ensure all joints are tight and secured.



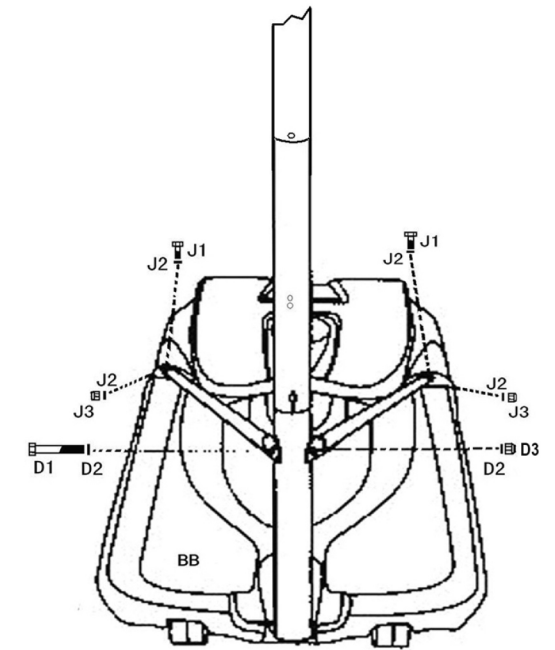
**STAND TO BASE INSTALLATION**



The bracket slots on the middle stand section face towardw the base.



Insert wheels axle (V) through the base (BB) and wheels (M).



Tighten all screws, bolts and nuts securely.